

## **BUS DUCT BELLOWS**

Bus Duct Bellows are used in the Aluminum Electrical Ducting system in power plant which prevent transmission of vibration of electrical generators and take care of the thermal expansion and contraction of Bus Duct enclosure and civil tolerance during Bus Duct installation.

### **Type**

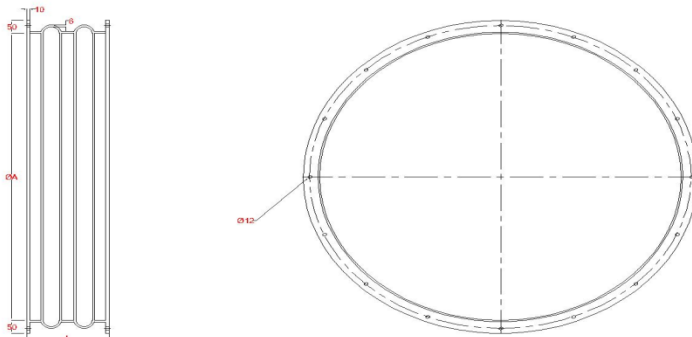
- Rectangular Flange Bellow
- Circular Flange Bellow
- Slip on Type Round Bellow
- Rubber Sleeve

### **Typical Material Properties**

- Material **EPDM / Neoprene**
- Hardness **40 - 50 Shore A**
- Elongation at Break **350% (Min.)**
- Tensile Strength before Ageing **70 kg / cm<sup>2</sup> (Min.)**
- Insulation Resistance at 1000 Kv **50 Mega Ohms. (Min)**

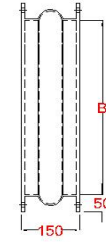
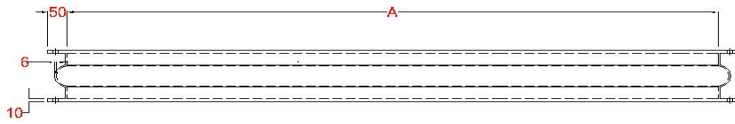
### **Typical Sizes**

#### **Circular Type Bellow with Flange**



<b>Sr. No.</b>	<b>Internal Diameter (A), mm</b>	<b>Length, mm</b>	<b>No. of Arch</b>	<b>Flange Height, mm</b>	<b>Flange Thickness, mm</b>	<b>No. of Holes</b>	<b>Hole Dia, mm</b>
1	501-550	150	1	50	10	16	12
2	551-600	150	1	50	10	16	12
3	601-650	150	1	50	10	16	12
4	651-700	150	1	50	10	20	12
5	701-750	150	1	50	10	20	12
6	751-800	150	1	50	10	20	12
7	801-850	150	1	50	10	24	12
8	851-900	150	1	50	10	24	12
9	901-951	150	1	50	10	24	12
10	951-1000	150	1	50	10	24	12
11	401-450	250	2	50	10	12	12
12	451-500	250	2	50	10	12	12
13	501-550	250	2	50	10	16	12
14	551-600	250	2	50	10	16	12
15	601-650	250	2	50	10	16	12
16	651-700	250	2	50	10	20	12
17	701-750	250	2	50	10	20	12
18	751-800	250	2	50	10	20	12
19	801-850	250	2	50	10	20	12
20	851-900	250	2	50	10	20	12
21	901-950	250	2	50	10	20	12
22	951-1000	250	2	50	10	20	12
23	1001-1050	250	2	50	10	20	12
24	1051-1100	250	2	50	10	24	12
25	1101-1150	250	2	50	10	24	12
26	1151-1200	250	2	50	10	24	12
27	1201-1250	250	2	50	10	28	12
28	1251-1300	250	2	50	10	28	12
29	1301-1350	250	2	50	10	28	12
30	1351-1400	250	2	50	10	28	12

### **Rectangular Type Bellow with Flange**

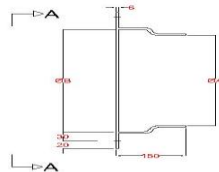
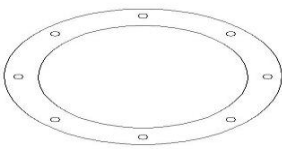


Sr. No.	Bellow Size		Height, mm	Flange Length, mm	Flange Thickness, mm	No. of Arch	No. of Holes	Hole Dia, mm
	A mm	B mm						
1	350	200	150	50	10	1	12	12
2	400	400	150	50	10	1	16	12
3	450	300	150	50	10	1	16	12
4	600	400	150	50	10	1	18	12
5	700	300	150	50	10	1	18	12
6	750	400	150	50	10	1	20	12
7	850	450	150	50	10	1	20	12
8	1000	500	150	50	10	1	22	12
9	1100	400	150	50	10	1	22	12
10	1100	500	150	50	10	1	24	12
11	1200	400	150	50	10	1	24	12
12	1250	450	150	50	10	1	26	12
13	1300	450	150	50	10	1	26	12
14	1400	400	150	50	10	1	28	12
15	1400	500	150	50	10	1	28	12
16	1500	600	150	50	10	1	30	12
17	1650	500	150	50	10	1	32	12

## Sleeve Type

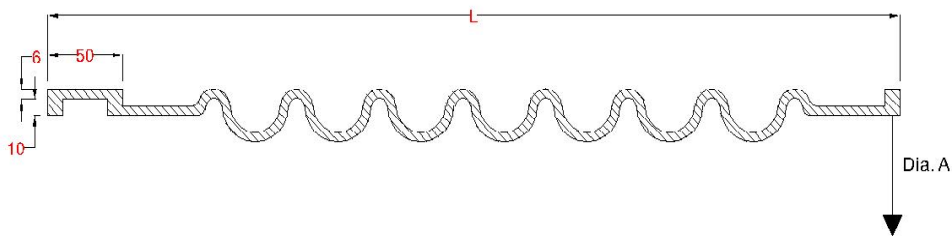
Sr. No.	Diameter (A), mm	Diameter (B), mm	Height
1	570	680	280
2	645	755	280
3	680	790	280
4	820	930	280
5	935	1045	280
6	945	1055	280
7	1040	1150	280
8	1320	1430	280
9	1445	1555	280

## Sleeve Type With Flange



Sr. No.	Diameter (A), mm	Diameter (B), mm	Height	Flange	Flange Thickness
1	160	210	150	50	6
2	325	385	150	50	6
3	340	370	150	50	6
4	370	400	150	50	6
5	450	470	150	50	6
6	465	528	150	50	6
7	500	540	150	50	6

## Circular Bellows Without Flange



Sr. No.	Diameter (A), mm	Length), mm	No. of Corrugations
1	700	450	7

2	870	385	8
3	920	450	6
4	1170	565	8

### **Sleeve on Type**

<b>Sr. No.</b>	<b>Diameter (A), mm</b>	<b>Diameter (B), mm</b>	<b>Height (1)</b>	<b>Height (2)</b>	<b>Thickness</b>
1	270	165	100	80	7
2	520	415	100	80	7
3	570	460	100	80	7
4	820	715	100	80	7
5	900	820	100	80	7
6	1045	920	100	80	7

### **Application**

Energy Power Plant  
Electrical Turbine

www.unitedrubber.net